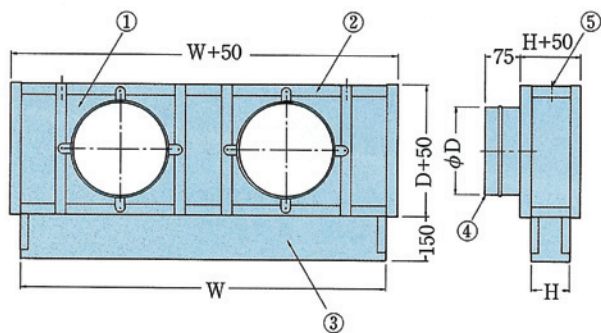


レジスター用チャンバ ボックス



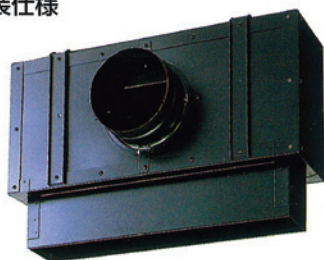
適用ダクト (φD) : φ150×2 風量 : 5.0~11.0m³/min (推奨)

| H(mm) W(mm) | 400 | 450 | 500 | 550 | 600 | 650 | 700 | 800 | 1000 | 1200 | 1500 | 2000 |
|----------------|--------|--------|--------|--------|--------|--------|--------|--------|--------|--------|--------|------|
| 100 | | | | | | | | 44,200 | 56,300 | 64,100 | 75,500 | |
| 150 | | | 29,100 | 33,000 | 36,700 | 40,400 | 44,400 | 50,200 | 58,200 | 65,900 | 77,500 | |
| 200 | 26,500 | 29,500 | 32,500 | 36,700 | 41,000 | 44,400 | 48,100 | 52,200 | 60,100 | 67,700 | | |
| 250 | 30,200 | 33,200 | 36,900 | 41,000 | 44,800 | 48,100 | 50,200 | 54,100 | | | | |
| 300 | 33,800 | 37,400 | 41,000 | 45,200 | 48,100 | 50,200 | 52,200 | | | | | |
| 350 | 37,400 | 41,000 | 46,200 | 48,100 | 50,200 | | | | | | | |
| 400 | 41,000 | 46,200 | 48,100 | | | | | | | | | |
| 450 | | 48,100 | | | | | | | | | | |

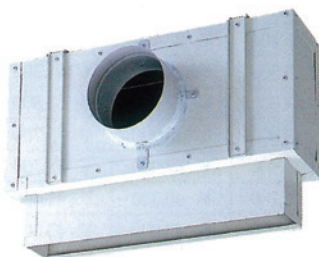
適用ダクト (φD) : φ200×2 風量 : 10.0~20.0m³/min (推奨)

| H(mm) W(mm) | 500 | 550 | 600 | 650 | 700 | 800 | 1000 | 1200 | 1500 | 2000 | 2500 |
|----------------|--------|--------|--------|--------|--------|--------|--------|--------|--------|------|------|
| 100 | | | | | | | 56,300 | 64,100 | 75,500 | | |
| 150 | | | | 40,400 | 44,400 | 50,200 | 58,200 | 65,900 | 77,500 | | |
| 200 | 32,500 | 36,700 | 41,000 | 44,400 | 48,100 | 52,200 | 60,100 | 67,700 | 79,300 | | |
| 250 | 36,900 | 41,000 | 44,800 | 48,100 | 50,200 | 54,100 | 62,100 | 69,900 | 81,500 | | |
| 300 | 41,000 | 45,200 | 48,100 | 50,200 | 52,200 | 56,300 | 64,100 | 71,700 | 83,300 | | |
| 350 | 46,200 | 48,100 | 50,200 | 52,200 | 54,100 | 58,200 | 65,900 | 73,700 | | | |
| 400 | 48,100 | 50,200 | 52,200 | 54,100 | 56,300 | 60,100 | 67,700 | 75,500 | | | |
| 450 | 50,200 | 52,200 | 54,100 | 56,300 | 58,200 | 62,100 | 69,900 | | | | |
| 500 | 52,200 | 54,100 | 56,300 | 58,200 | 60,100 | 64,100 | | | | | |

塗装仕様



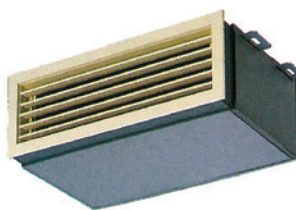
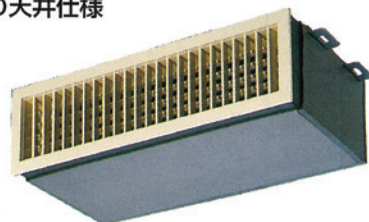
(黒)



(白)

亜鉛引鋼板製 (焼付塗装)
断熱材 : グラスボード (64kg/m³, 25t)
(内面ガラスクロス貼)
(別途お見積り)

下り天井仕様



亜鉛引鋼板製
断熱材 : ポリエチレン30倍 10t+5t 内外貼り
(別途お見積り)

※下り天井仕様の場合、ダクト接続部(背面)は基本的にオーバル仕様となります。
チャンバ部グラスボード製も承ります。